



# BHEEMA WPC FRAME

GREAT PRODUCT FOR GREAT BUILD

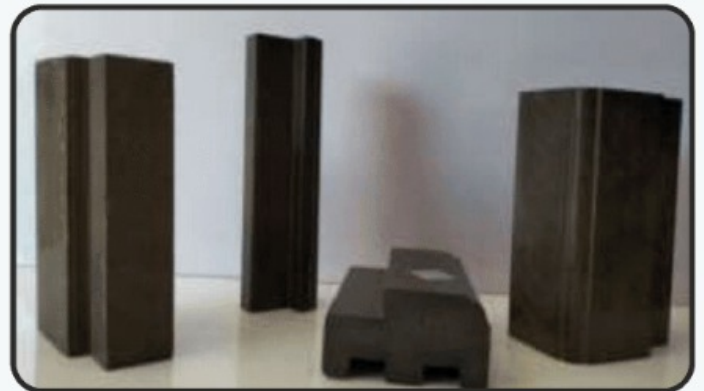


Save Tree



Save Environment

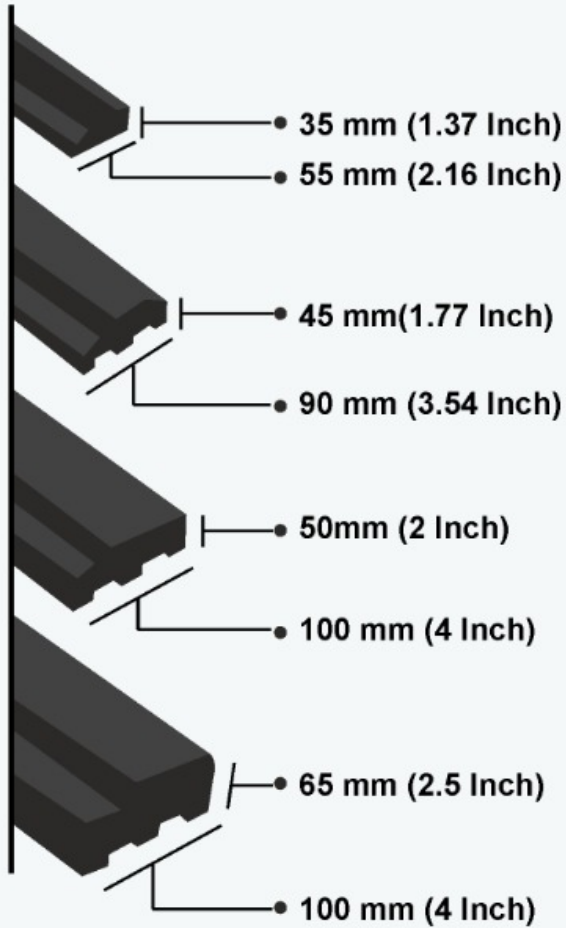
मजबूती ऐसी जो चले सालों साल





## BHEEMA WPC DOOR FRAMES

- ➔ WPC Solid Door Frame looks like wood, being lifelong durable, has high screw holding capacity and all hardware fittings can be tightened by screw.
- ➔ WPC Solid Door Frame is especially useful for sanitary.
- ➔ WPC Door Frame can be fit by Hold Fast during brick work and also fit by Screw/Anchor Bolt after completion of wall plaster.



**\*Availability - It is generally structured with solid extrusion and in more than 850+ Kg/Cubic meter density.**



# BHEEMA WPC FRAME



**BI-011**



**75mm x 50 mm**

**BI-012**



**100mm x 50 mm**

**BI-013**



**100mm x 63mm**

**BI-014**



**125mm x 63mm**

**BI-015**



**125mm x 63mm**

**BI-016**



**150mm x 63mm**

# BHEEMA WPC FRAME



Door Frame Like Wood, Being Lifelong Durables, Has High Screw Holding Capacity And All Hard-ware Fittings Can Be Tighten By Screw. WPC Solid Door Frame Is Especially Useful For Sanitary. WPC Door Frame Can Be Fit By Hold Fast During Brick Work and also Fit By Screw/Anchor Bolt After Completion Of Wall Plaster

## Features

- High Screw Holding Capacity • 101 % Termite & Borer Proof
- 101 % Water Proof • Fire Resistance • Eco Friendly • Any Polish or Paint Can be Done
- Moisture Free & Shrinkage Free • Easy to install



## Availability

It is generally structured with solid extrusion and in more than 955 kg/Cubic meter density

We provide Below Sizes in  
BHEEMA WPC DOOR FRAMES

It is available in Standard Ready to Fix in Sizes of

### Single Rebates

3 x 2  
4 x 2  
4 x 2.5  
5 x 2.5



### Double Rebates

5 x 2.5  
6 x 2.5



**Manufacture by:-**

**BHEEMA WPC INDUSTRIES**

**Ahmedabad (Gujarat), India.**

**Customer Care Number -9824404539**